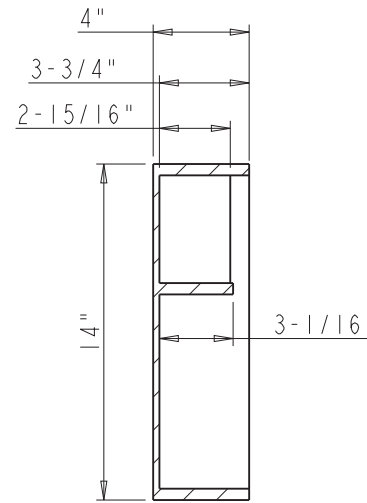
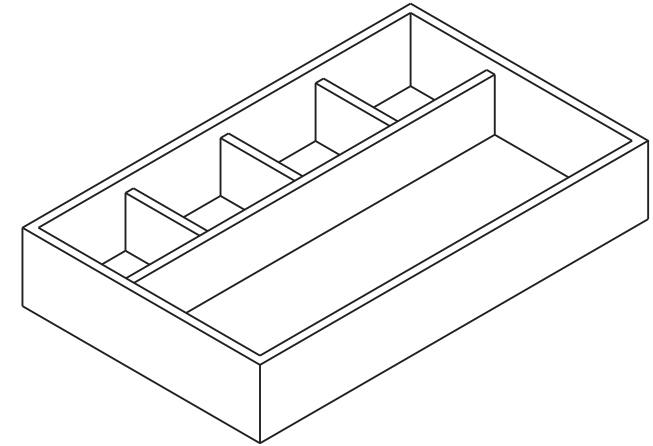
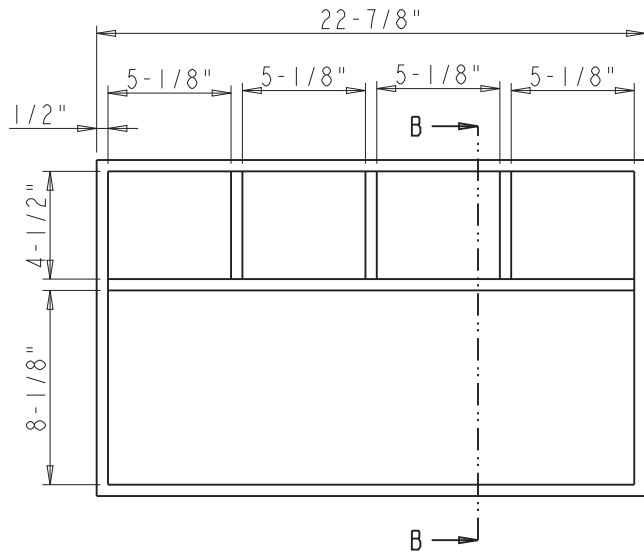
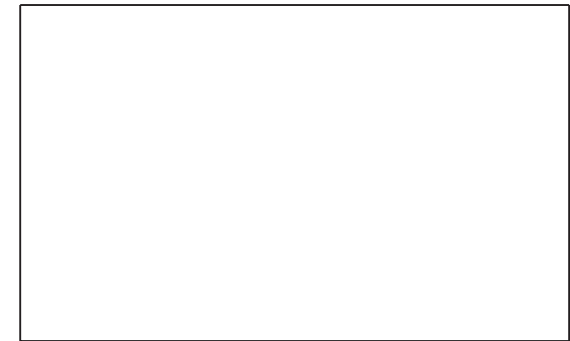


2	303FUSFT-14		2			PART	1	
1	J-BOX-4		1	0.00	0.00	PART	1	
NO.	ITEM#	MATERIAL	QTY	UNIT	TOTL	TYPE	ASSY LEVEL	
				WEIGHT	WEIGHT			
<b>hardware resources</b>		ITEM#: JD118-2		MATERIAL: PTC_MATERIAL_NAME				
FINISH:				WEIGHT: 0.000				
PROPRIETARY AND CONFIDENTIAL				PROJECTION				
<p>THE INFORMATION CONTAINED IN THIS DRAWING IS THE SOLE PROPERTY OF HARDWARE RESOURCES INC. ANY REPRODUCTION IN PART OR AS A WHOLE WITHOUT THE WRITTEN PERMISSION OF HARDWARE RESOURCES INC. IS PROHIBITED.</p>		TOLERANCE UNLESS OTHERWISE SPECIFIED:		UNITS:	DRAWN BY:		DATE:	
		X ±0.20			<i>Hugo.cai</i>		05-11-15	
		XX ±0.10		SIZE:	APPROVED BY:		DATE:	
		XXX ±0.05		A4	RELEASE LEVEL:		REVISION:	
ANGULAR: ±0.5°		SHEET:	1 OF 1					
DO NOT SCALE DRAWING								



SECTION B-B



	ITEM#: J-BOX-4		MATERIAL: PTC_MATERIAL_NAME		
	FINISH:		WEIGHT: 0.000 g		
<b>PROPRIETARY AND CONFIDENTIAL</b> THE INFORMATION CONTAINED IN THIS DRAWING IS THE SOLE PROPERTY OF HARDWARE RESOURCES INC. ANY REPRODUCTION IN PART OR AS A WHOLE WITHOUT THE WRITTEN PERMISSION OF HARDWARE RESOURCES INC. IS PROHIBITED.	TOLERANCE UNLESS OTHERWISE SPECIFIED: X ±0.20 XX ±0.10 XXX ±0.05 ANGULAR: ±0.5°		UNITS: SIZE: A4 SHEET: 1 OF 1	DRAWN BY: <i>Hugo.cai</i> APPROVED BY: RELEASE LEVEL:	DATE: 05-11-15 DATE: REVISION:
	DO NOT SCALE DRAWING		PROJECTION:		